



ITR18.23T

TELESCOPIC

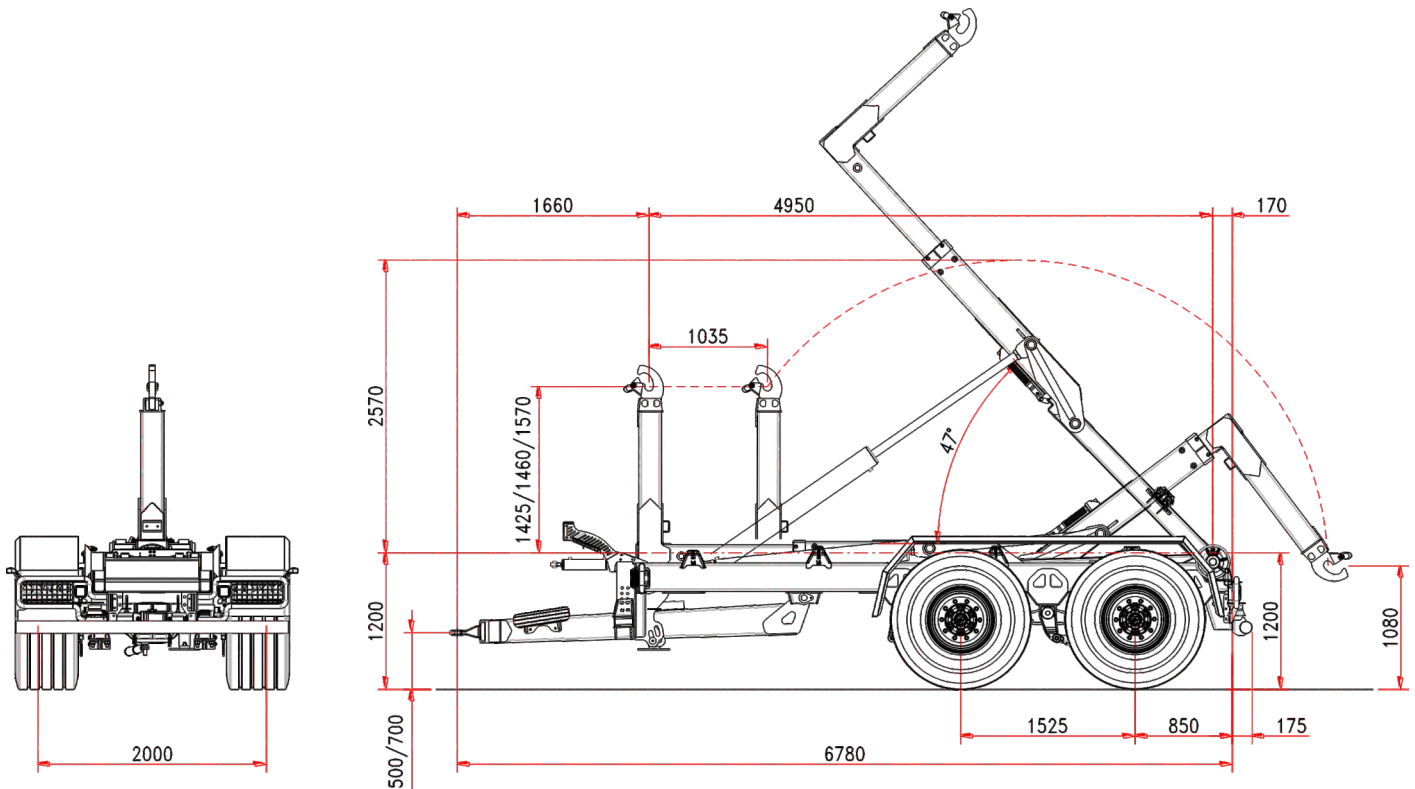


ITRunner



www.itrunner.it

2 AXLES HOOKLIFT ITR 18.23 T TELESCOPIC MECHANIC SUSPENSIONS



Standard Features

CHASSIS

Frame section	250 x 100 mm
Draw bar	silent blocks
Leaf spring suspension	tandem 24 t
Axles wheelbase	1525 mm
Axles section	2 x 110 mm
Axles	fixed + fixed
Track	2000 mm
Brake drums	406 x 120 mm
Braking system	hydraulic
Towing eye	turning
Support foot	hydraulic
Wheel size	550/60 R22,5
Chassis loading level	1200 mm
Front stab. cilinder 3rd point	standard

WEIGHT AND DIMENSION

Gross Trailer Weight (G.T.W.)	23 t
Container handling cap.	4000/6000 mm
Max speed	40 km/h
(*) Tare	5100 kg

TELESCOPIC ARM

Run	1035 mm
Hook level	1425/1460/1570
Container internal/external	hydraulic
locking	47°
Tipping angle	standard
Hoist start cylinder	18 t
Tipping capacity	18 t
Lifting capacity	

OLEO-DYNAMIC SYSTEM

Tractor hydraulics	2 controls d.a.
Oil volume (hooklift filled)	46 l
Hooklift filled:	
Cylinders oil operation	
demand	11,4 l
Tipping	12,7 l
Loading/unloading	loading/unloading valves with control Bobeasy base

(*) Tare: the trailer weight is referred to the basic unit without options and accessories.

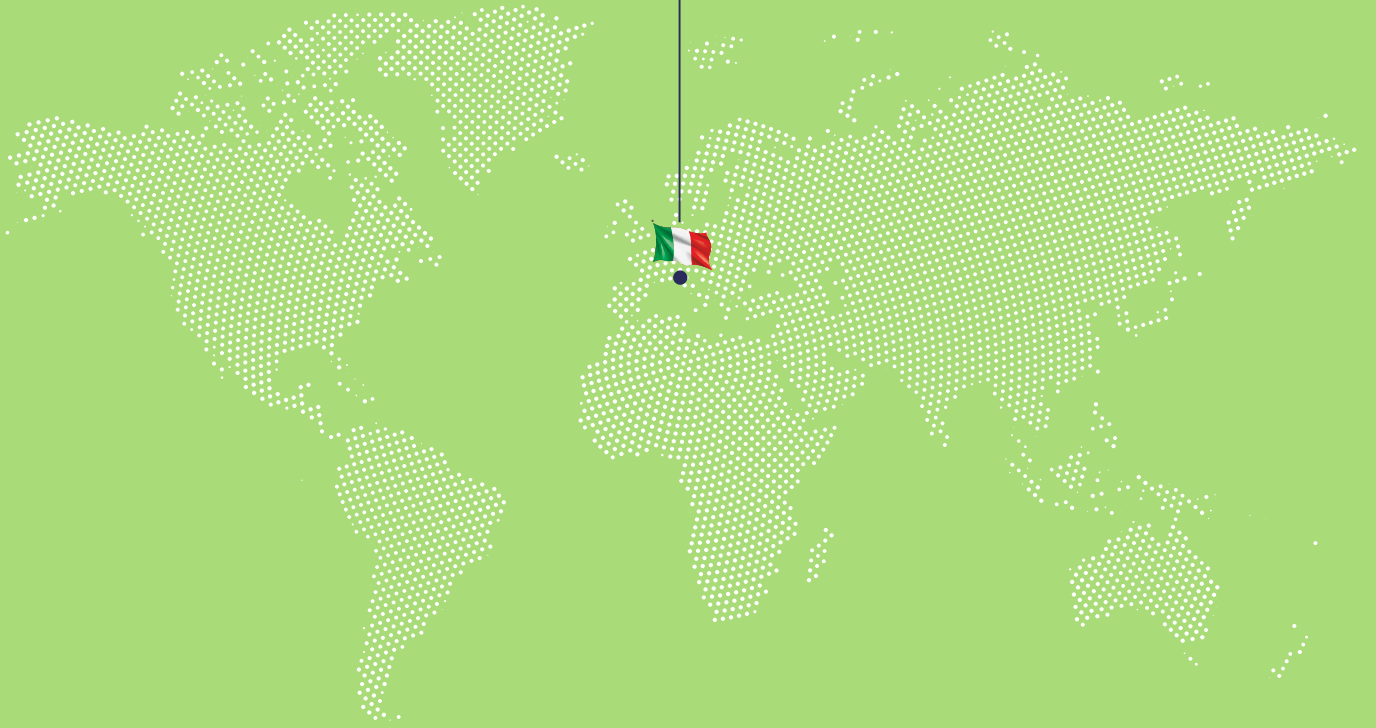
ITRunner

ITR 18.23T
TELESCOPIC





ITRunner



ITRunner

Reg. Oltre Rea, 32
12060 Monchiero (CN) - Italy
Phone +39 0173 780 002
Fax +39 0173 780 700
Email: info@itranner.it

www.itrunner.it



lift your life