



# ITR 18.23/6

ARTICULATED



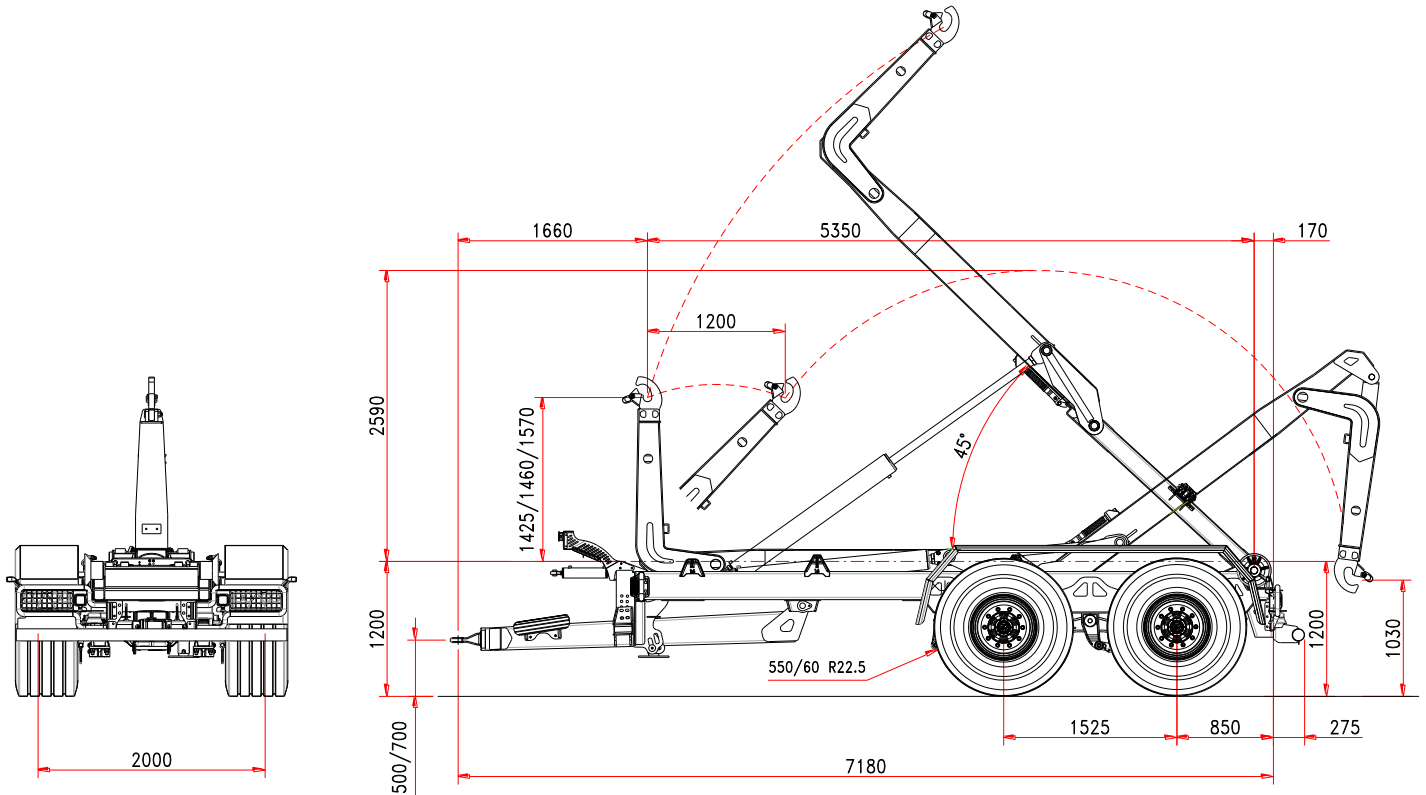
**ITRunner**



[www.itrunner.it](http://www.itrunner.it)

## 2 AXLES HOOKLIFT TRAILER ITR 18.23/6

ARTICULATED  
MECHANIC SUSPENSIONS



## Standard Features

### CHASSIS

Frame section	250 x 100 mm
Draw bar	silent blocks
Leaf spring suspension	tandem 24 t
Axles wheelbase	1525 mm
Axles section	2 x 110 mm
Axles	fixed + fixed
Track	2000 mm
Brake drums	406 x 120 mm
Braking system	hydraulic
Towing eye	turning
Support foot	hydraulic
Wheel size	550/60 R22,5
Chassis loading level	1200 mm
3 <sup>rd</sup> point hydraulic stab. cylinder	standard

### WEIGHT AND DIMENSION

Gross Trailer Weight (G.T.W.)	23 t
Container handling cap.	4500/6200 mm
Max speed	40 km/h
(*) Tare	5300 kg

### ARTICULATED ARM

Run	1200 mm
Hook level	1425/1460/1570
Container internal/external locking	hydraulic
Tipping angle	47°
Hoist start cylinder	standard
Tipping capacity	18 t
Lifting capacity	18 t

### OLEO-DYNAMIC SYSTEM

Tractor hydraulics	4 controls d.e.
Oil volume (hooklift filled)	46 l
Hooklift filled:	
Cylinders oil operation demand	
Tipping	11,4 l
Loading/unloading	12,7 l
3 sections electro-valves with control	Bobeasy base

(\*) Tare: the trailer weight is referred to the basic unit without options and accessories.

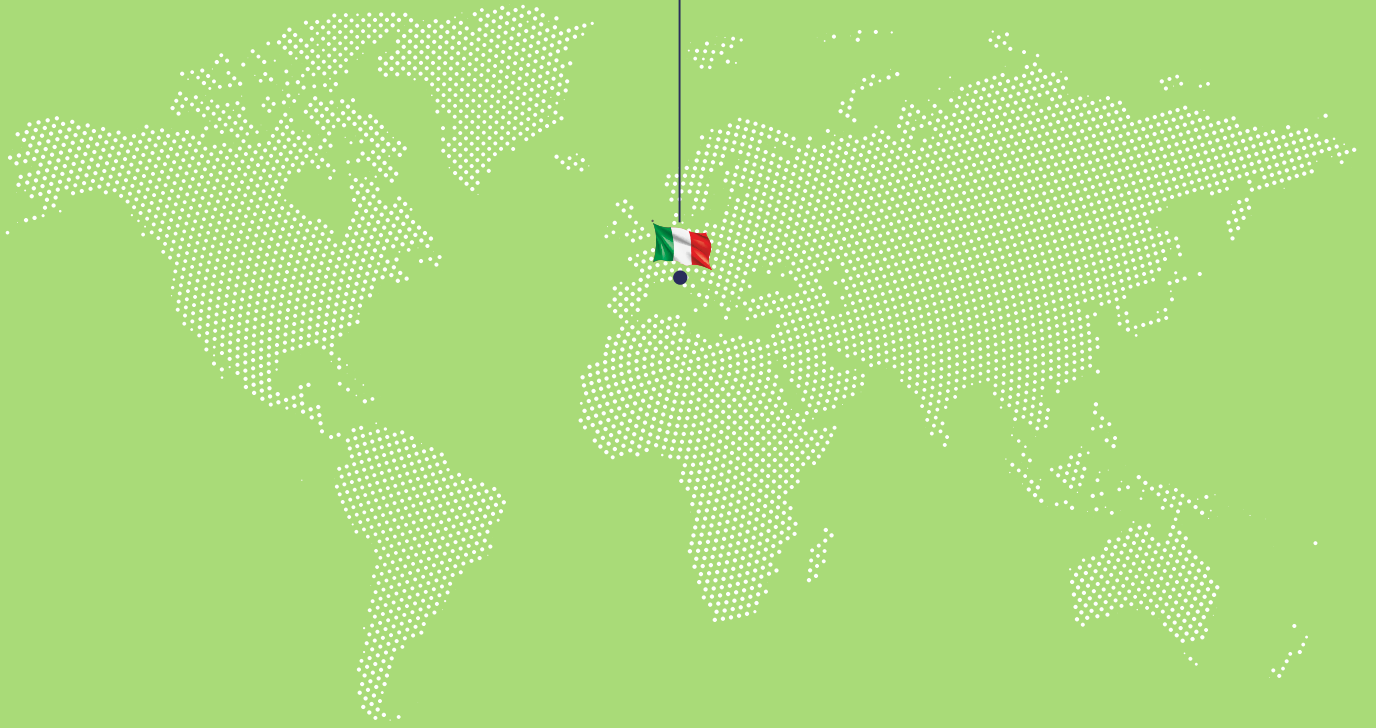
**ITRunner**

**ITR18.23/6**  
ARTICULATED





**ITRunner**



# **ITRunner**

Reg. Oltre Rea, 32  
12060 Monchiero (CN) - Italy  
Phone +39 0173 780 002  
Fax +39 0173 780 700  
Email: info@itranner.it

[www.itrunner.it](http://www.itrunner.it)



*lift your life*