



ITR 22.23
TELESCOPIC

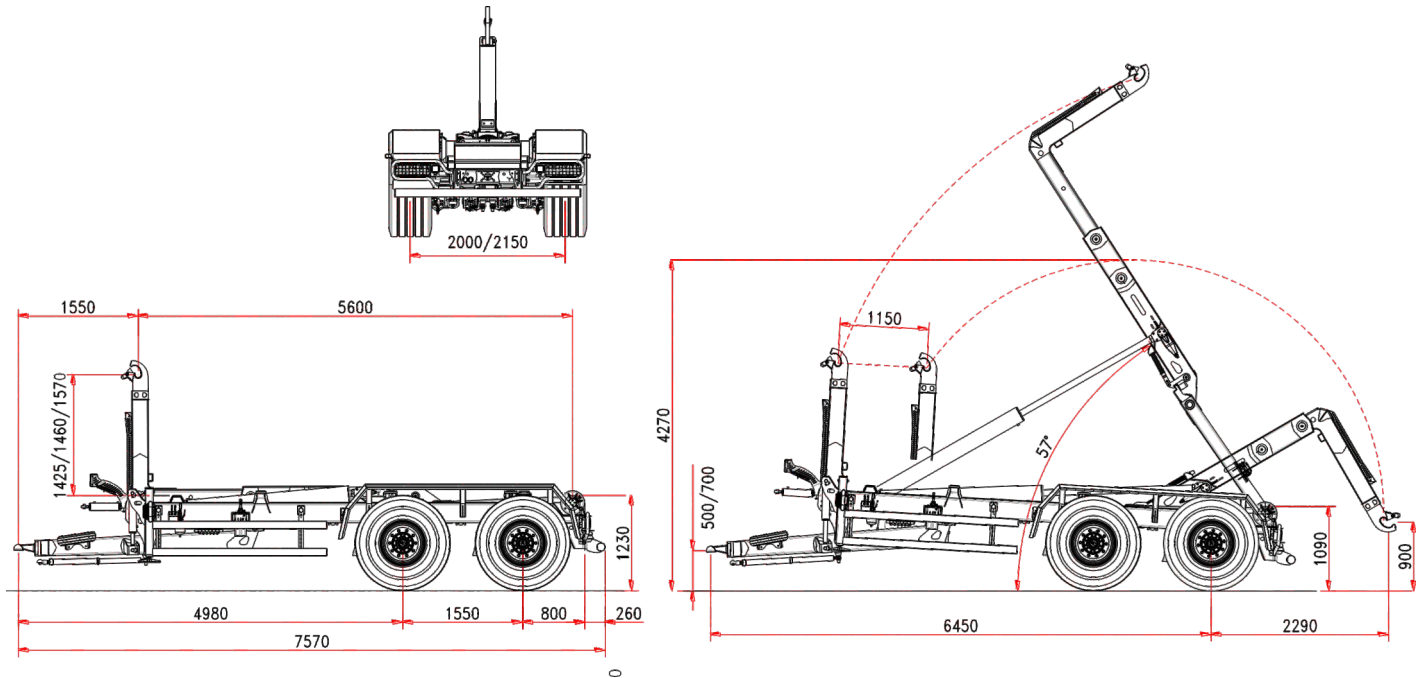


ITRunner



www.itrunner.it

2 AXLES HOOKLIFT ITR 22.23 TELESCOPIC HYDRAULIC SUSPENSIONS



Standard Features

CHASSIS

Frame section	250 x 100 mm
Draw bar	hydraulic
Leaf spring suspension	24 t
Axles wheelbase	1550 mm
Axles section	2 x 150 mm
Axles	fixed + fixed
Track	2000 mm
Brake drums	406 x 120 mm
Braking system	hydraulic
Towing eye	turning
Support foot	2 x hydraulic
Wheel size	550/60 R22,5
Chassis loading level	1230 mm
Front stab. cilinder 3 rd point	standard

WEIGHT AND DIMENSION

Gross Trailer Weight (G.T.W.)	23 t
Container handling cap.	5000/6300 mm
Max speed	40 km/h
(*) Tare	6100 kg

TELESCOPIC ARM

Run	1150 mm
Hook level	1425/1460/1570
Container internal/external locking	hydraulic
Tipping angle	57°
Hoist start cylinder	standard
Tipping capacity	22 t
Lifting capacity	22 t
<i>(according to hook-level)</i>	

OLEO-DYNAMIC SYSTEM

Tractor hydraulics	4 controls d.a.
Oil volume (hooklift filled)	50 l
Hooklift filled:	
Cylinders oil operation	
demand	12 l
Tipping	15 l
Loading/unloading	200/210 bar
3 sections electro-valves with control	Bobeasy base

(*) Tare: the trailer weight is referred to the basic unit without options and accessories.

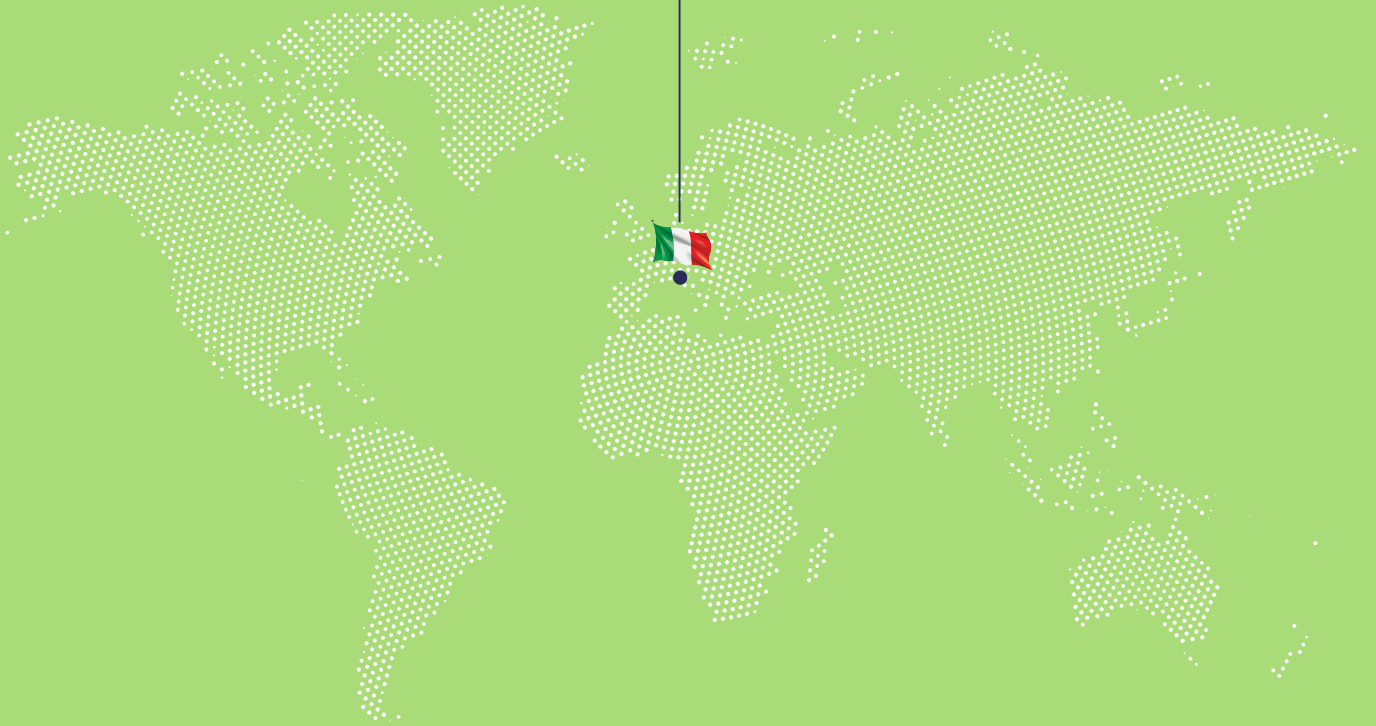
ITRunner

ITR 22.23
TELESCOPIC





ITRunner



ITRunner

Reg. Oltre Rea, 32
12060 Monchiero (CN) - Italy
Phone +39 0173 780 002
Fax +39 0173 780 700
Email: info@itranner.it

www.itrunner.it



lift your life