



ITR22.33X
TELESCOPIC

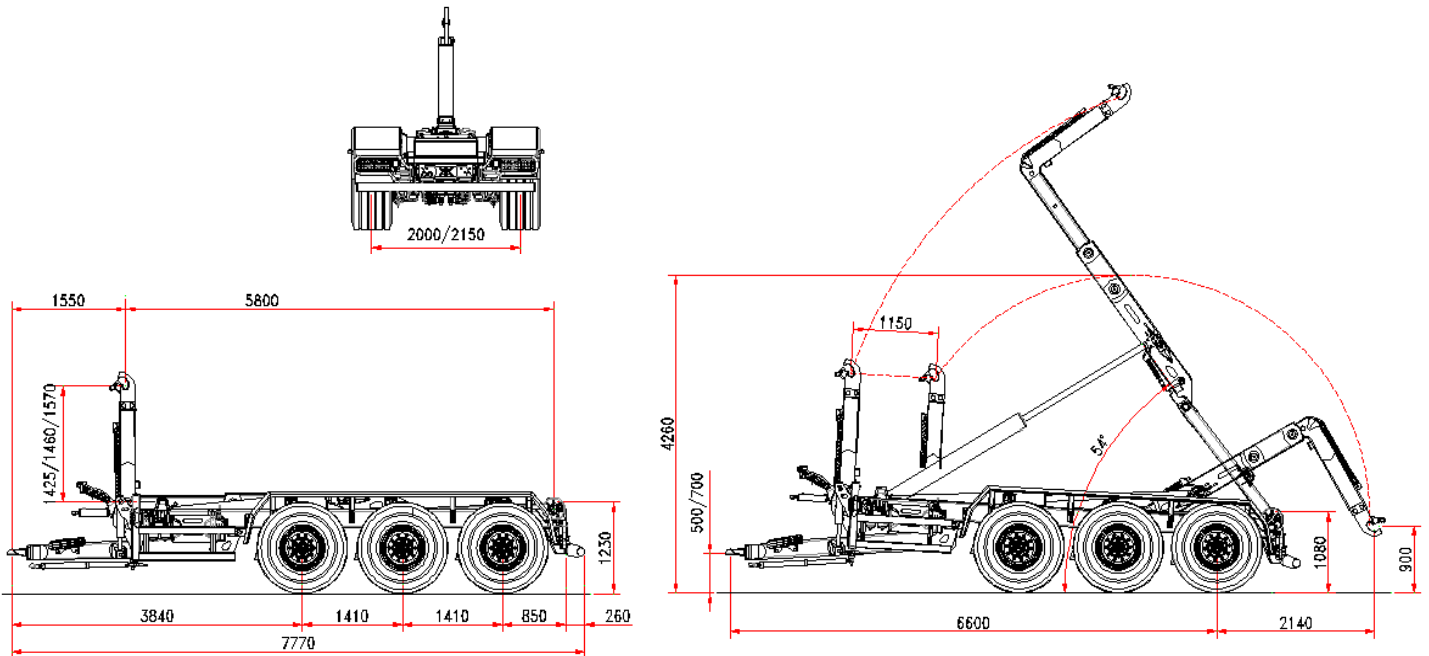


ITRunner



www.itrunner.it

3 AXLES HOOKLIFT ITR 22.33 X TELESCOPIC HYDRAULIC SUSPENSIONS



Standard Features

CHASSIS

| | |
|--|-------------------|
| Frame section | 250 x 100 mm |
| Draw bar | hydraulic |
| Leaf spring suspension | 33 t |
| Axles wheelbase | 1410 mm |
| Axles section | 3 x 150 mm |
| Axles | fixed+fixed+fixed |
| Track | 2000 mm |
| Brake drums | 406 x 120 mm |
| Braking system | hydraulic |
| Towing eye | fixed |
| Support foot | 2 x hydraulic |
| Wheel size | 550/60 R22,5 |
| Chassis loading level | 1230 mm |
| Front stab. cilinder 3 rd point | standard |

WEIGHT AND DIMENSION

| | |
|-------------------------------|--------------|
| Gross Trailer Weight (G.T.W.) | 33 t |
| Container handling cap. | 5000/6500 mm |
| Max speed | 40 km/h |
| (*) Tare | 7150 kg |

TELESCOPIC ARM

| | |
|-------------------------------------|----------------|
| Run | 1150 mm |
| Hook level | 1425/1460/1570 |
| Container internal/external locking | hydraulic |
| Tipping angle | 54° |
| Hoist start cylinder | standard |
| Tipping capacity | 22 t |
| Lifting capacity | 22 t |
| <i>(according to hook-level)</i> | |

OLEO-DYNAMIC SYSTEM

| | |
|------------------------------|--|
| Tractor hydraulics | 4 controls d.a. |
| Oil volume (hooklift filled) | 50 l |
| Hooklift filled: | |
| Cylinders oil operation | |
| demand | 12 l |
| Tipping | 15 l |
| Loading/unloading | loading/unloading valves with control Bobeasy base |

(*) Tare: the trailer weight is referred to the basic unit without options and accessories.

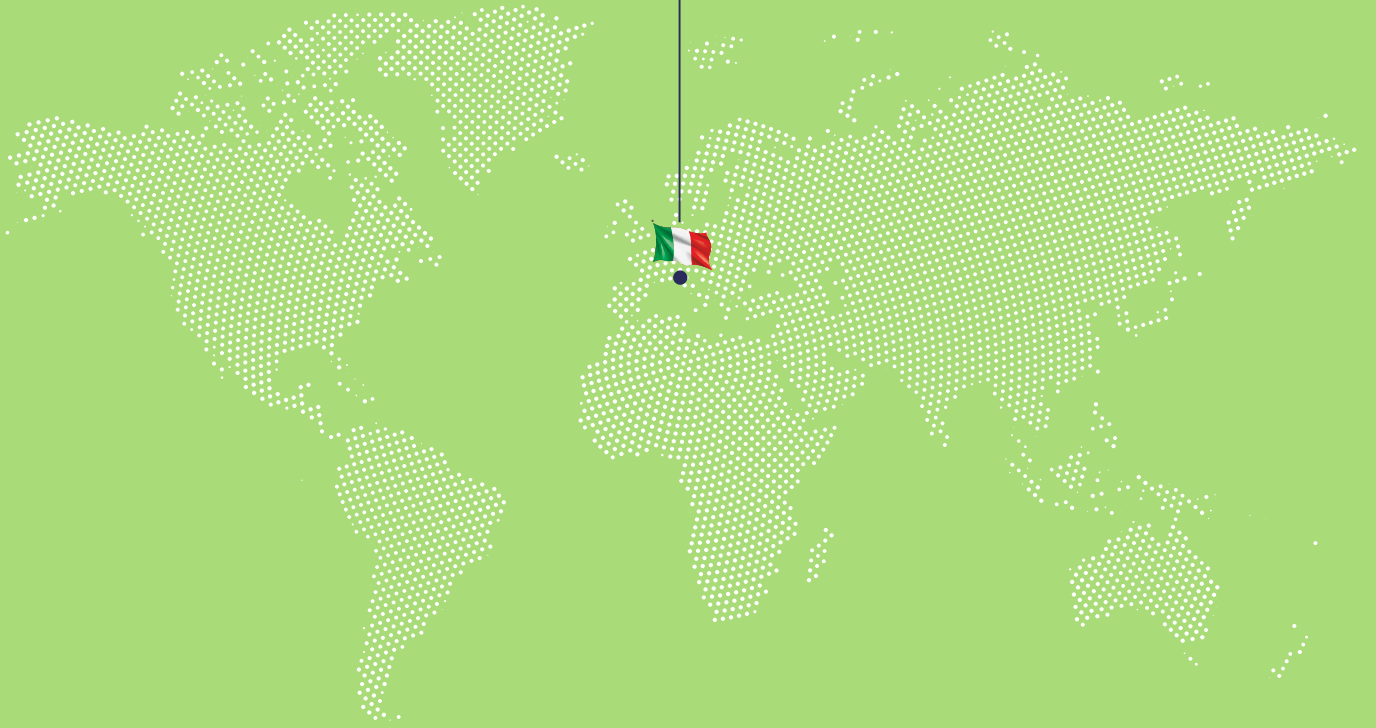
ITRunner

ITR 22.33X
TELESCOPIC





ITRunner



ITRunner

Reg. Oltre Rea, 32
12060 Monchiero (CN) - Italy
Phone +39 0173 780 002
Fax +39 0173 780 700
Email: info@itranner.it

www.itrunner.it



lift your life