



ITRK 22.33X7

TELESCOPIC ARTICULATED

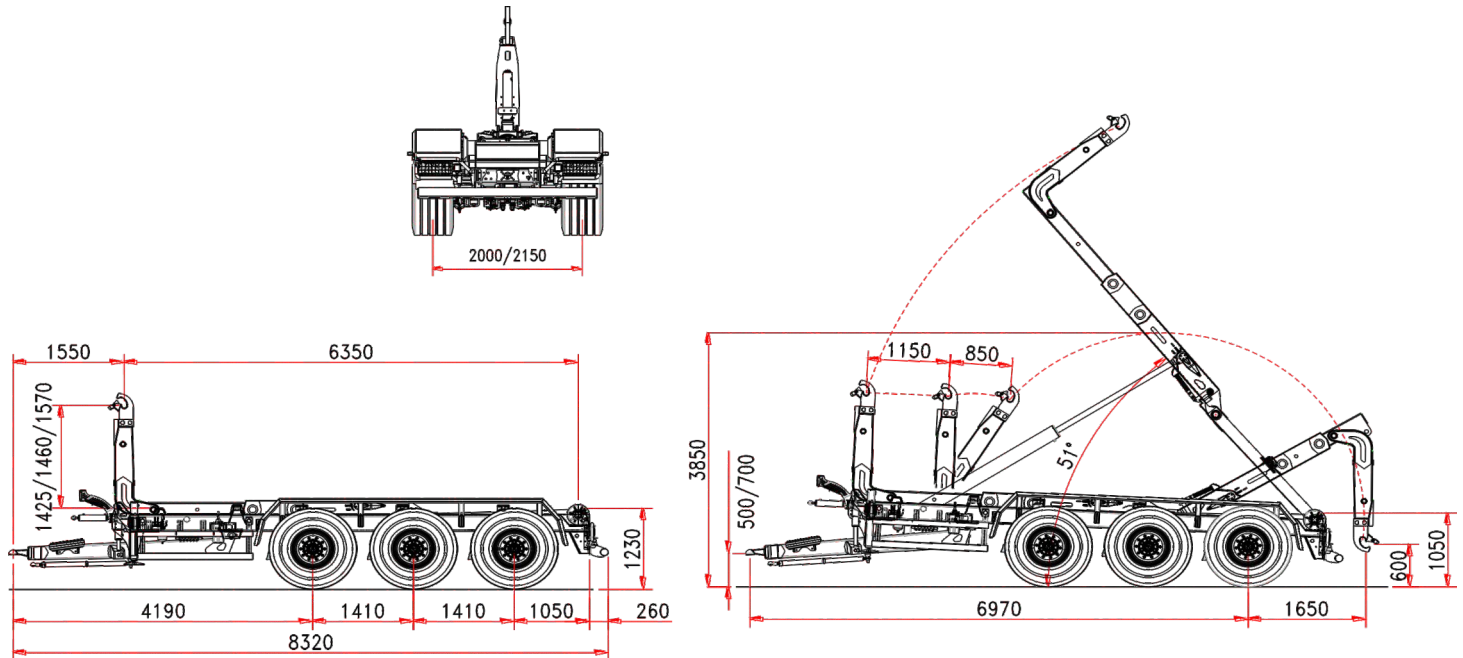


ITRunner



www.itrunner.it

3 AXLES HOOKLIFT ITRK 22.33 X7 TELESCOPIC AND ARTICULATED HYDRAULIC SUSPENSIONS



Standard Features

CHASSIS

Frame section	250 x 100 mm
Draw bar	hydraulic
Suspension hydraulic	33 t
Axles wheelbase	1410 mm
Axles section	3 x 150 mm
Axles	fixed+fixed+fixed
Track	2000 mm
Brake drums	406 x 120 mm
Braking system	hydraulic
Towing eye	turning
Support foot	2xhydraulic
Wheel size	550/60 R22,5
Chassis loading level	1230 mm
Front stab. Cylinder 3 rd point	standard

WEIGHT AND DIMENSION

Gross Trailer Weight (G.T.W.)	33 t
Container handling cap.	5000/7200 mm
Max speed	40 km/h
(*) Tare	7400 kg

TELESCOPIC AND ARTICULATED ARM

Run	1150 + 850 mm
Hook level	1425/1460/1570
Container internal/external locking	hydraulic
Tipping angle	51°
Hoist start cylinder	standard
Tipping capacity	22 t
Lifting capacity	22 t

OLEO-DYNAMIC SYSTEM

Tractor hydraulics	4 controls d.a.
Oil volume (hooklift filled)	50 l
Cylinders oil operation demand	
Tipping	19 l
Loading/unloading	18 l
Electro-valves 4 section with BOBEASY base control	

(*) Tare: the trailer weight is referred to the basic unit without options and accessories.

ITRunner

ITRK22.33X7
TELESCOPIC ARTICULATED





ITRunner



ITRunner

Reg. Oltre Rea, 32
12060 Monchiero (CN) - Italy
Phone +39 0173 780 002
Fax +39 0173 780 700
Email: info@itranner.it

www.itrunner.it



lift your life