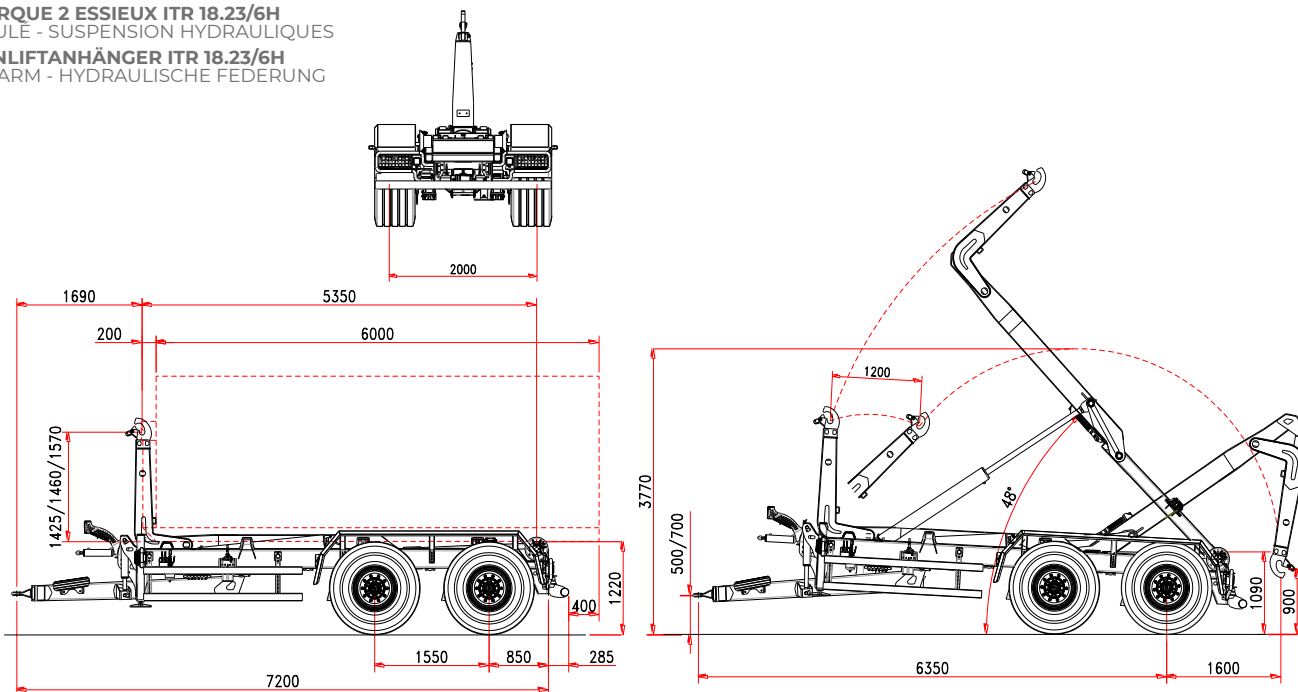




**RIMORCHIO 2 ASSI ITR 18.23/6H**  
 ARTICOLATO - SOSPENSIONI MECCANICHE  
**2 AXLES HOOKLIFT TRAILER ITR 18.23/6H**  
 ARTICULATED - HYDRAULIC SUSPENSIONS  
**REMORQUE 2 ESSIEUX ITR 18.23/6H**  
 ARTICULÉ - SUSPENSION HYDRAULIQUES  
**HAKENLIFTANHÄNGER ITR 18.23/6H**  
 KNICKARM - HYDRAULISCHE FEDERUNG




## Caratteristiche Standard

## Standard Features

## Caractéristiques Standard

## Standard-Merkmale

### TELAIO

|  |                    |              |
|--|--------------------|--------------|
|  | Sezione longheroni | 250 x 100 mm |
|  | Sezioni assali     | 2 x 150 mm   |
|  | Freni a tamburo    | 406 x 120 mm |
|  | Sezione ruote      | 550/60-22,5  |

### PESO E MISURE

|                             |              |
|-----------------------------|--------------|
| P.T.T. (G.T.W.)             | 23 t         |
| Dimensione Min./Max cassone | 4500/6200 mm |
| Max velocità                | 40 km/h      |
| (*) Tara                    | 5400 kg      |

### BRACCIO ARTICOLATO


|                              |                |
|------------------------------|----------------|
| Altezza gancio               | 1425/1460/1570 |
| Bloccaggio container esterno | idraulico      |
| Angolo di ribaltamento       | 48°            |
| Max cap. ribaltamento        | 18 t           |
| Max cap. carico              | 18 t           |

### SISTEMA IDRAULICO

|                       |                 |
|-----------------------|-----------------|
| Idraulica al trattore | 4 elementi d.e. |
|-----------------------|-----------------|

(\*) la tara è riferita all'attrezzatura base del rimorchio senza opzioni ed accessori

### CHASSIS

|  |                   |              |
|--|-------------------|--------------|
|  | Section structure | 250 x 100 mm |
|  | Section essieux   | 2 x 150 mm   |
|  | Freins tambour    | 406 x 120 mm |
|  | Pneus             | 550/60-22,5  |

### POIDS ET DIMENSIONS

|                       |              |
|-----------------------|--------------|
| Poids totale remorque | 23 t         |
| Longueur conteneur    | 4500/6200 mm |
| Max vitesse           | 40 km/h      |
| (*) Tara              | 5400 kg      |

### BRAS ARTICULE

|                         |                |
|-------------------------|----------------|
| Hauteur crochet         | 1425/1460/1570 |
| Verrouillage conteneur  | hydraulique    |
| Angle de bennage        | 48°            |
| Max capacité de bennage | 18 t           |
| Max capacité de charge  | 18 t           |

### SYSTÈME HYDRAULIQUE

|                      |                  |
|----------------------|------------------|
| Hydraulique tracteur | 4 contrôles d.e. |
|----------------------|------------------|

(\*) La tare de la remorque est référée à l'équipement base sans options et accessoires.

### CHASSIS

|   |               |              |
|---|---------------|--------------|
|  | Frame section | 250 x 100 mm |
|   | Axles section | 2 x 150 mm   |
|   | Brake drums   | 406 x 120 mm |
|   | Wheel size    | 550/60-22,5  |

### WEIGHT AND DIMENSION

|                               |              |
|-------------------------------|--------------|
| Gross Trailer Weight (G.T.W.) | 23 t         |
| Container handling cap.       | 4500/6200 mm |
| Max speed                     | 40 km/h      |
| (*) Tare                      | 5400 kg      |

### ARTICULATED ARM


|                                     |                |
|-------------------------------------|----------------|
| Hook level                          | 1425/1460/1570 |
| Container internal/external locking | hydraulic      |
| Tipping angle                       | 48°            |
| Tipping capacity                    | 18 t           |
| Lifting capacity                    | 18 t           |

### OLEO-DYNAMIC SYSTEM

|                    |                  |
|--------------------|------------------|
| Tractor hydraulics | 4 controls d. a. |
|--------------------|------------------|

(\*) Tare: the trailer weight is referred to the basic unit without options and accessories.

### FAHRGESTELL

|   |                   |              |
|---|-------------------|--------------|
|  | Rahmenquerschnitt | 250 x 100 mm |
|   | Achsenquerschnitt | 2 x 150 mm   |
|   | Bremstrommel      | 406 x 120 mm |
|   | Bereifung         | 550/60-22,5  |

### MASSE UND GEWICHT

|                           |              |
|---------------------------|--------------|
| Gesamtgewicht             | 23 t         |
| Containerlänge min./max   | 4500/6200 mm |
| Zul.Höchstgeschwindigkeit | 40 km/h      |
| (*) Leergewicht           | 5400 kg      |

### KNICKARM

|                                     |                |
|-------------------------------------|----------------|
| Hakenhöhe                           | 1425/1460/1570 |
| Innere/äußere Containerverriegelung | hydraulisch    |
| Kippwinkel                          | 48°            |
| kippkapazität                       | 18 t           |
| Hebekapazität                       | 18 t           |

### HIDRAULIKANLAGE

|                      |                                 |
|----------------------|---------------------------------|
| Hydraulik am Traktor | 4 doppelwirkende Steuerelemente |
|----------------------|---------------------------------|

(\*) Leergewicht ohne Zusatzausstattungen und Sonderausrüstungen